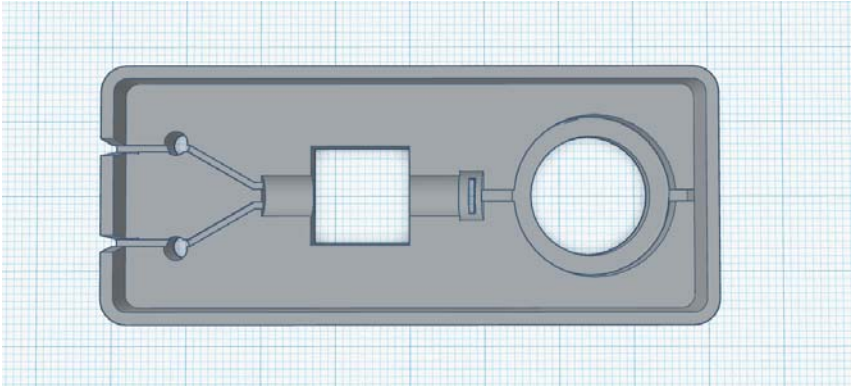
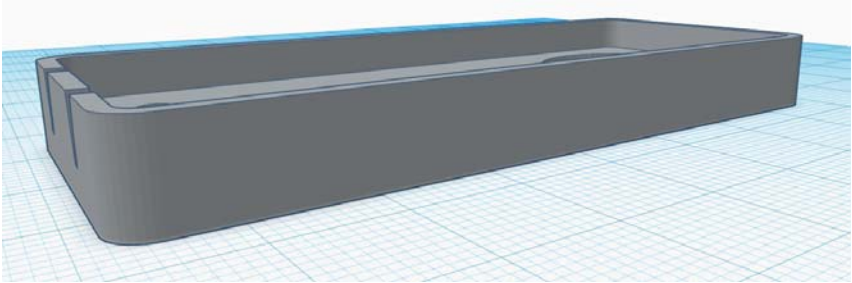


Schematic of top_plate.stl file:

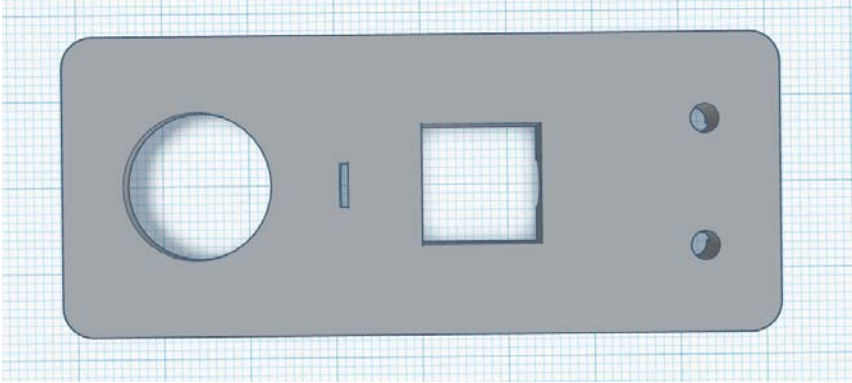
Viewed from above:



Viewed from the side:

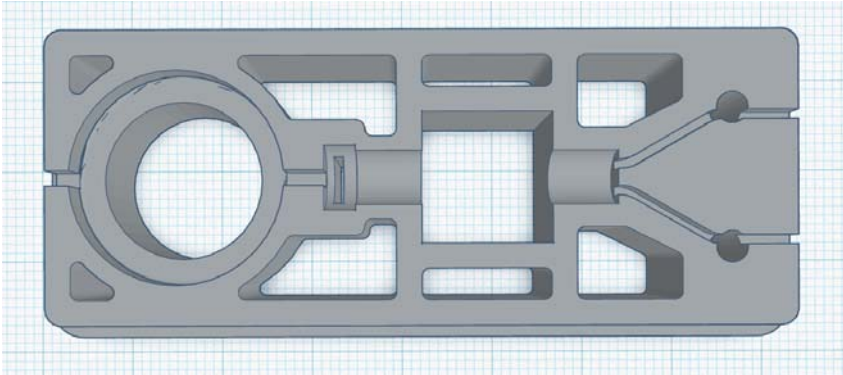


Viewed from below:

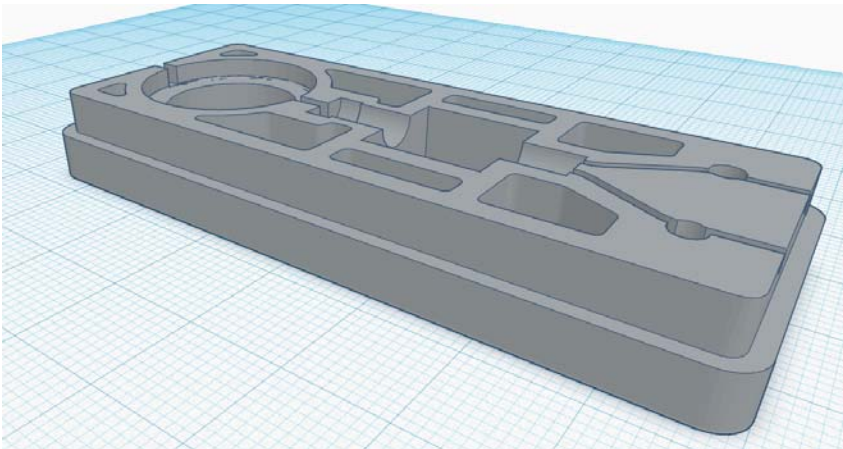


Schematic of bottom_plate.stl file:

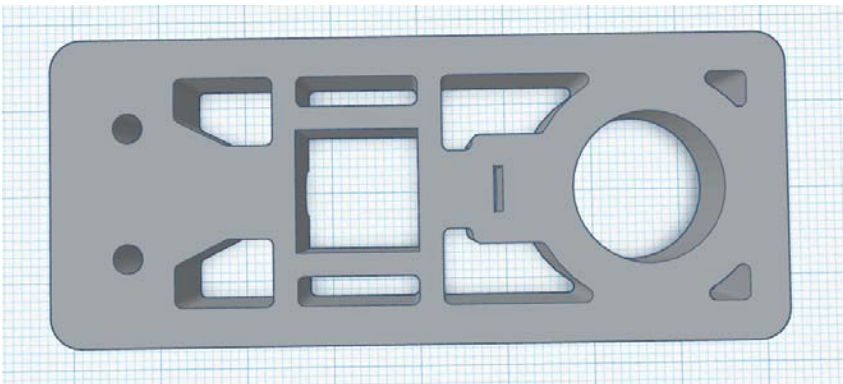
Viewed from above:



Viewed from the side:



Viewed from below:



Schematic of cuvette_cover.stl file:

